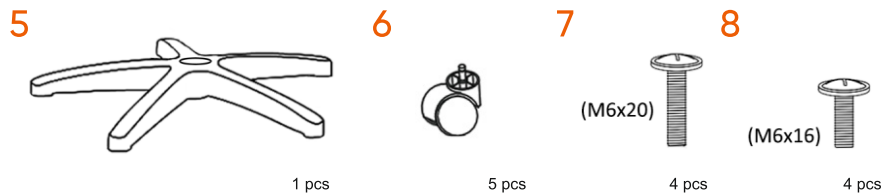
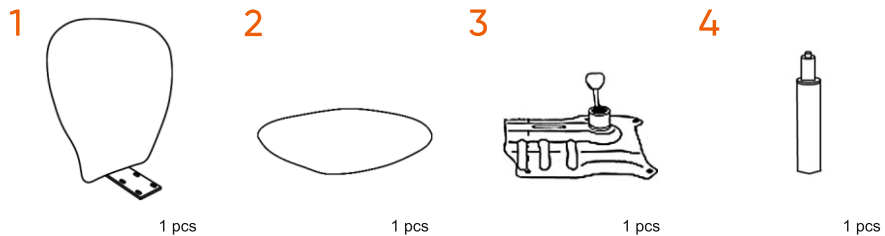




# Chairman Kids 105

**RU** ИНСТРУКЦИЯ ПО СБОРКЕ  
**EN** ASSEMBLY INSTRUCTIONS  
**DE** AUFBAUANLEITUNG  
**FR** INSTRUCTIONS DE MONTAGE  
**IT** MANUALE D'USO  
**ES** INSTRUCCIONES DE MONTAJE  
**CS** NÁVOD K MONTÁŽI  
**KK** ЖИНАУ ЖӨНІНДЕГІ НҮСҚАУЛЫҚ

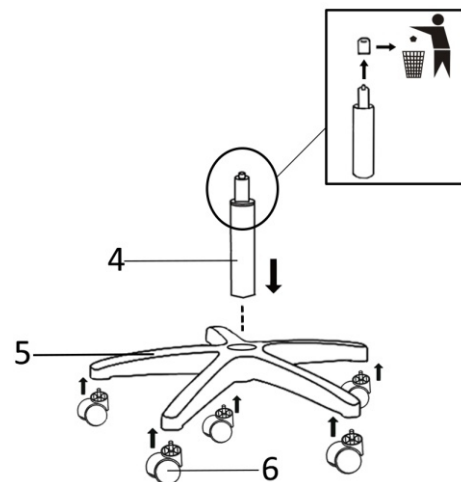
EAЭС RU C-RU.BE02.B.02350/20



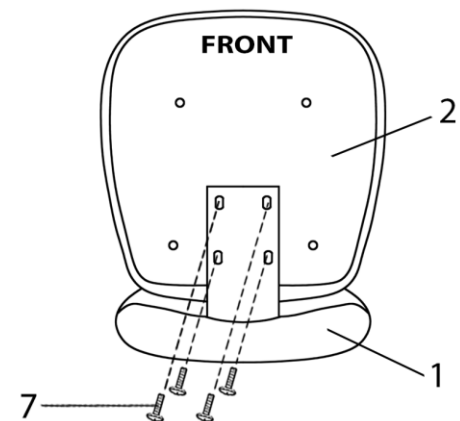
**STEP 1**

**STEP 2**

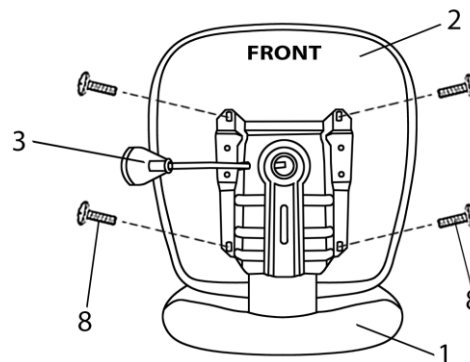
**1**



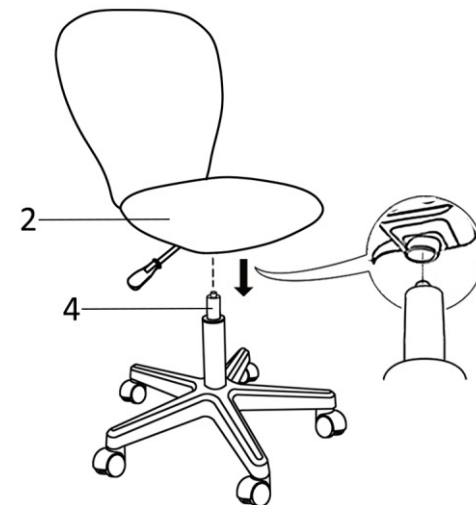
**2**

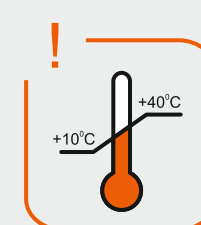
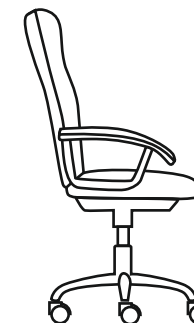
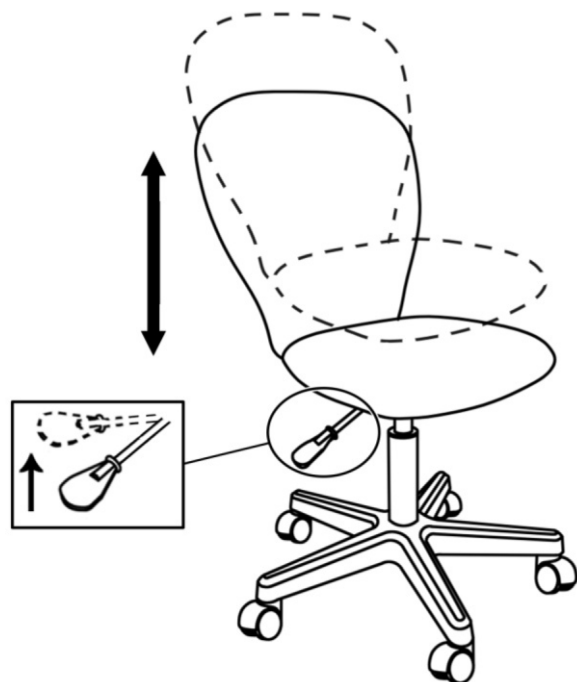


**3**



**4**





**CHAIRMAN**  
ПОМОГАЕТ РАБОТАТЬ

🌐 [chairman.ru](http://chairman.ru)  
✉ [info@chairman.ru](mailto:info@chairman.ru)  
📺 [vk.com/chairman\\_chairs](https://vk.com/chairman_chairs)