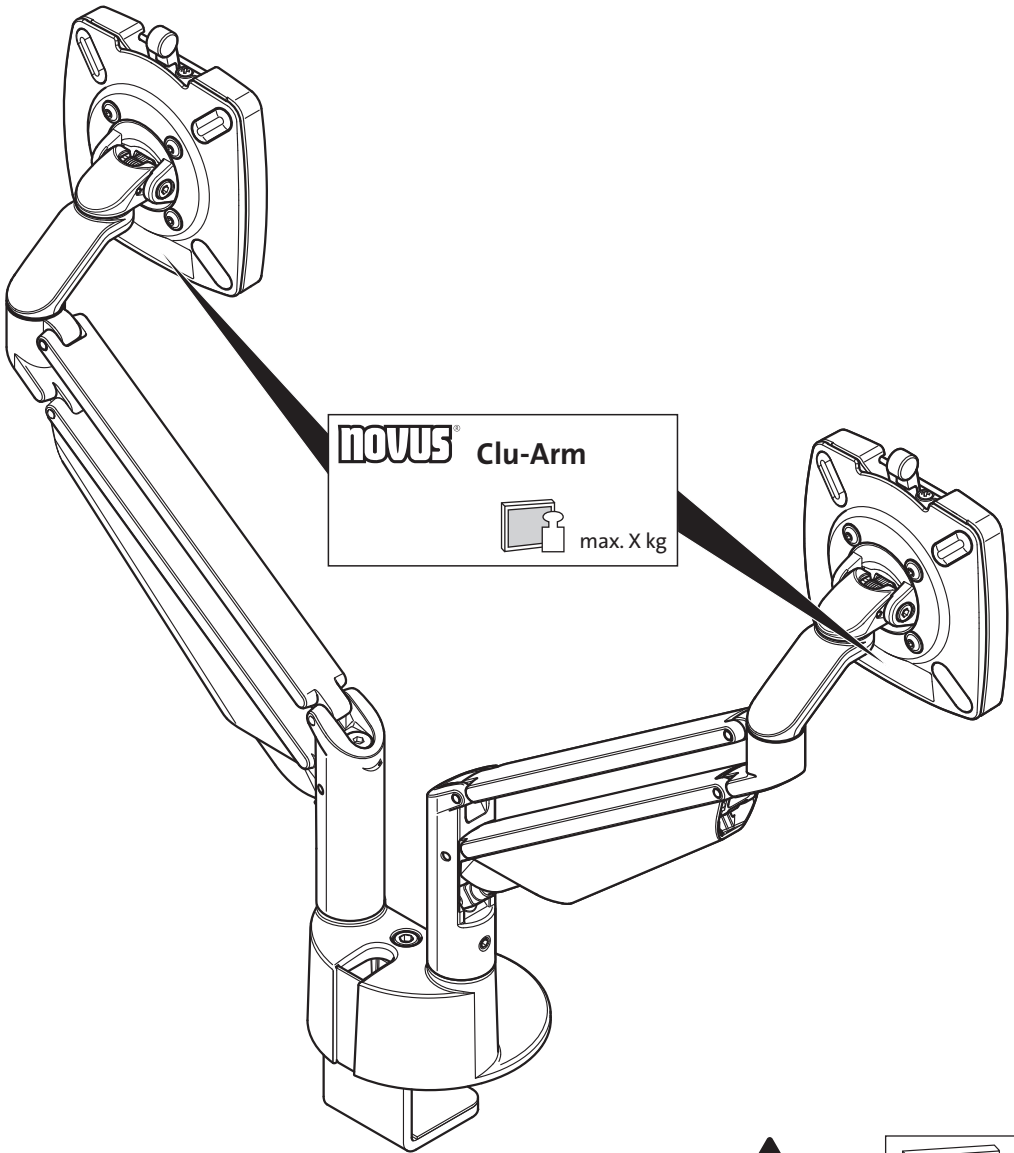
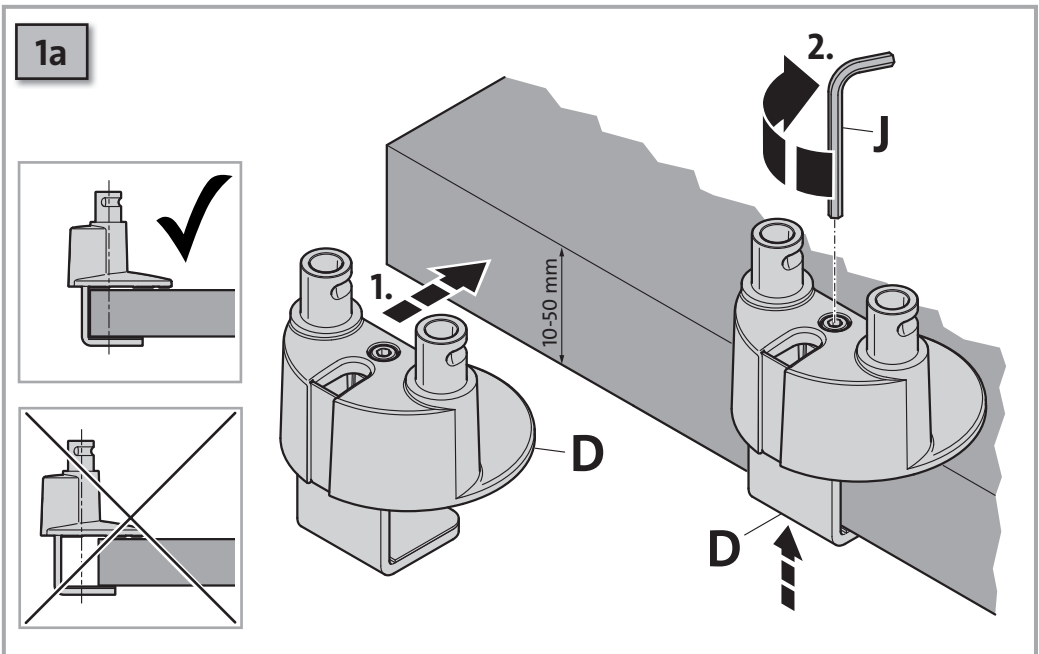
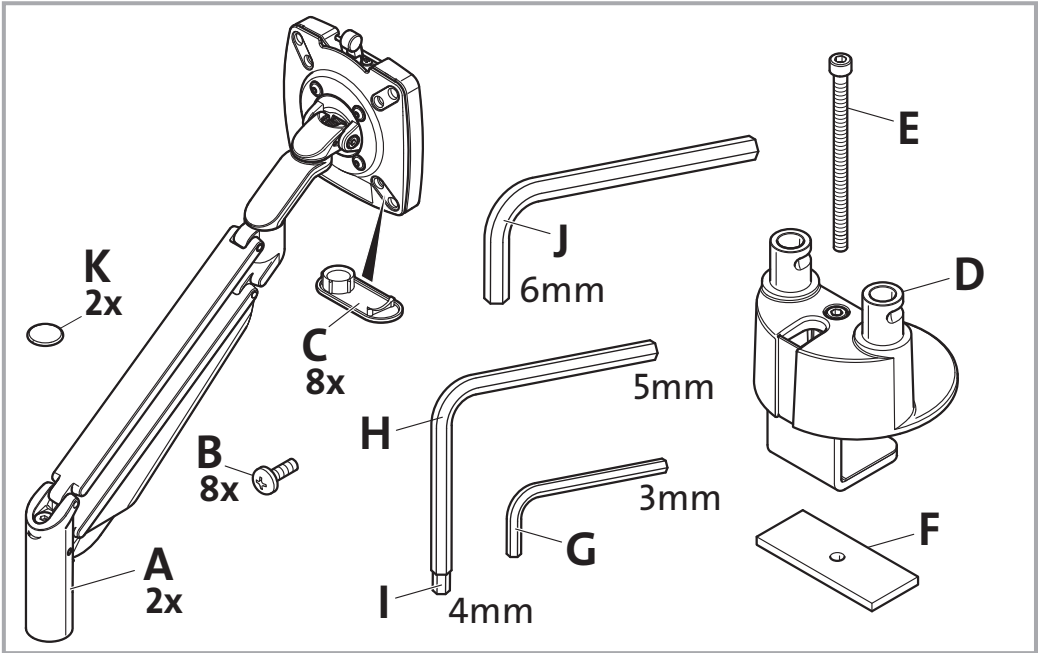




NOVUS[®] Clu Duo

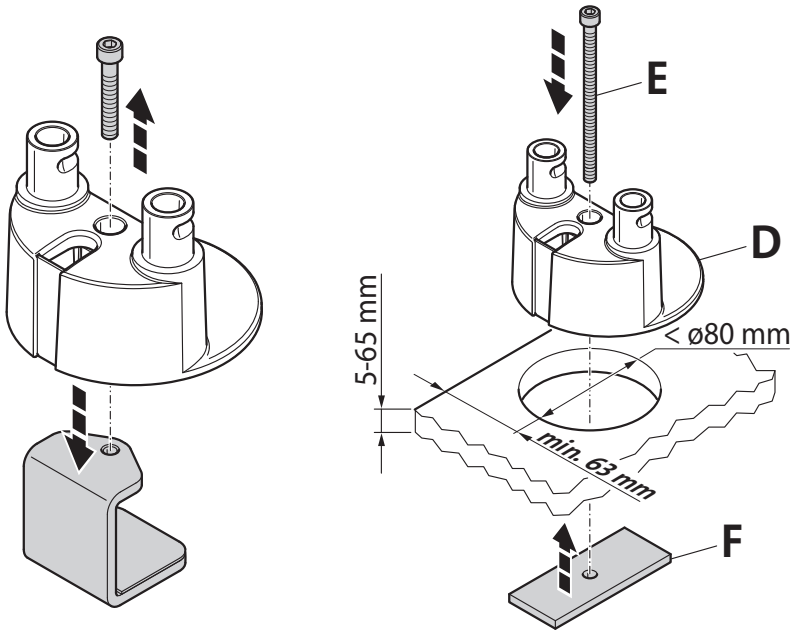




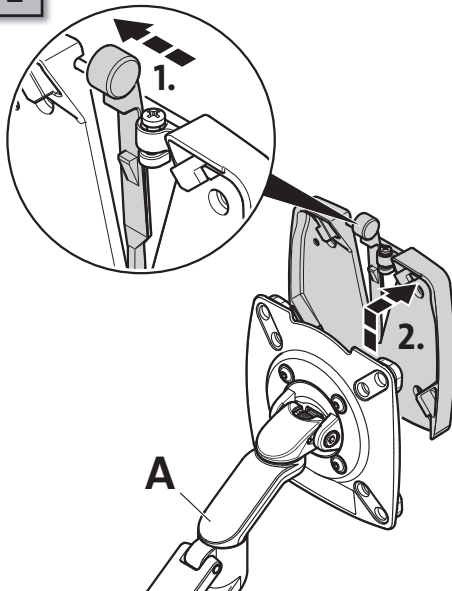


NOVUS® Clu Duo

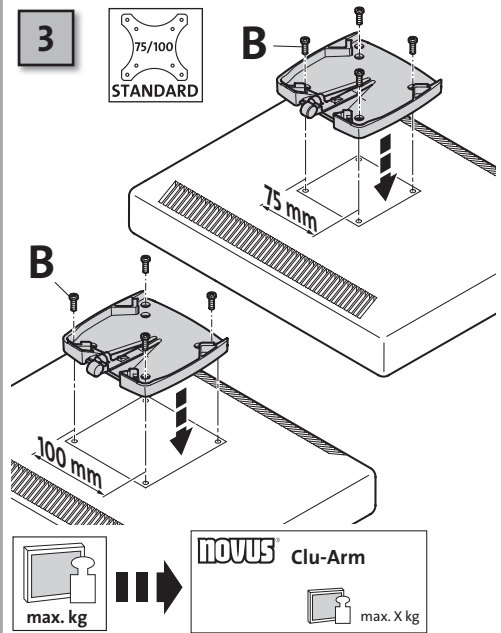
1b

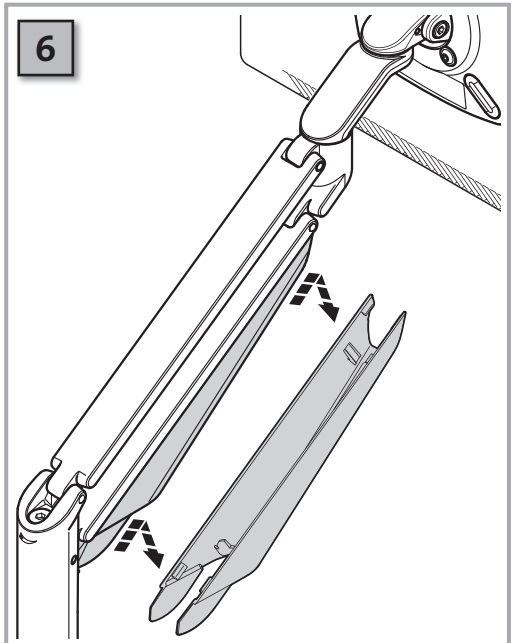
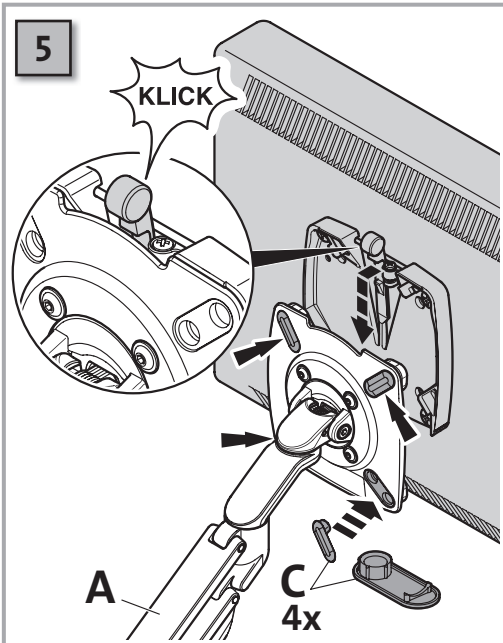
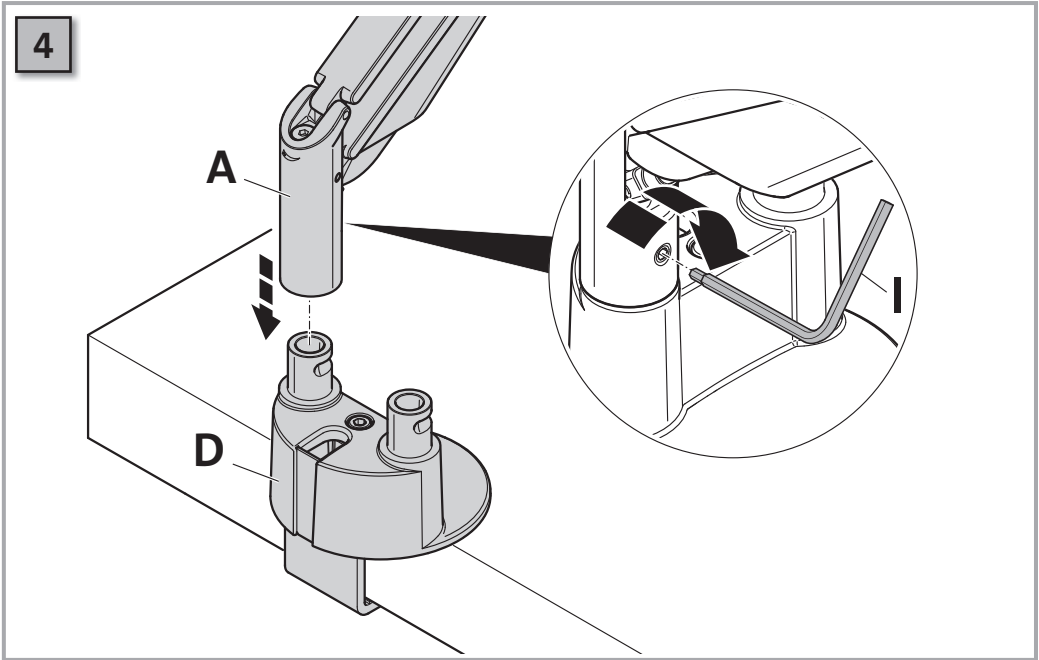


2



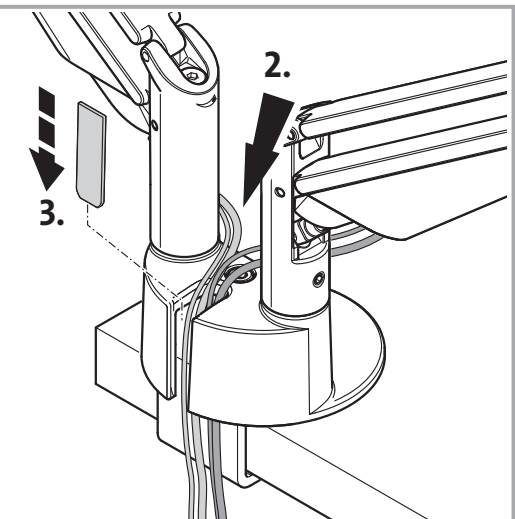
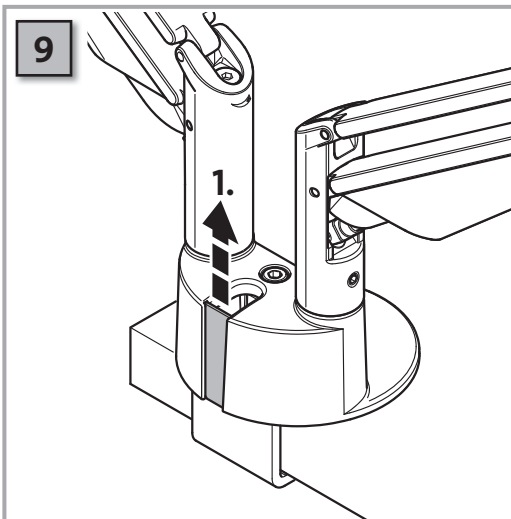
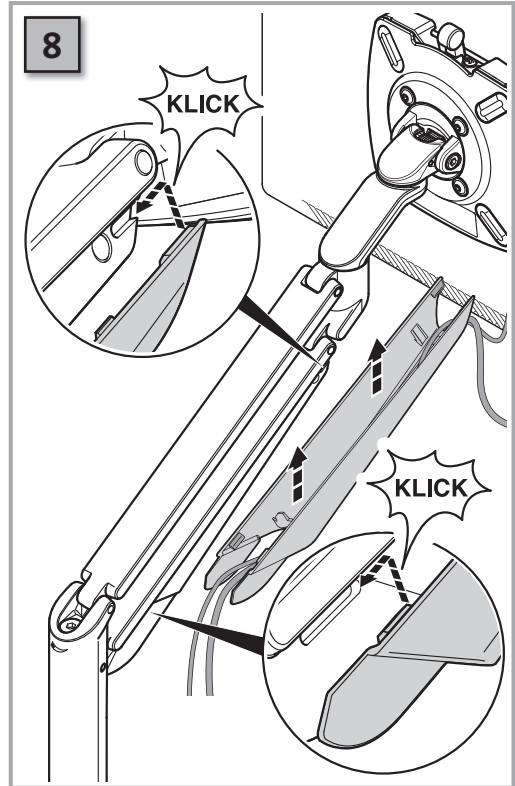
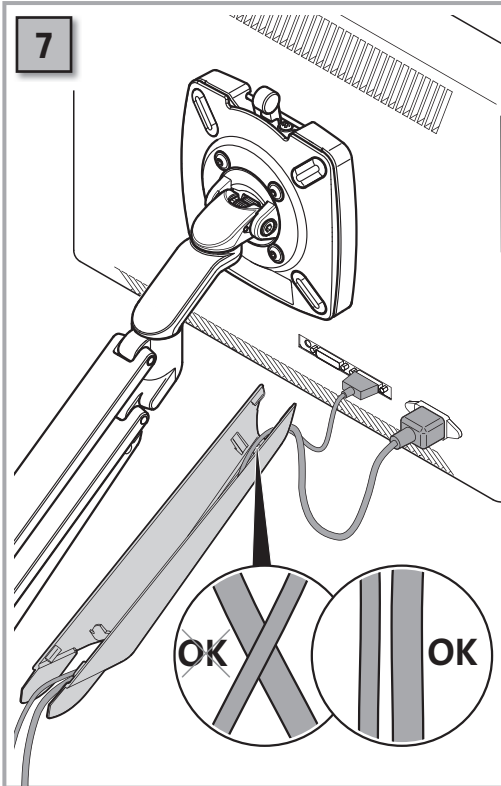
3

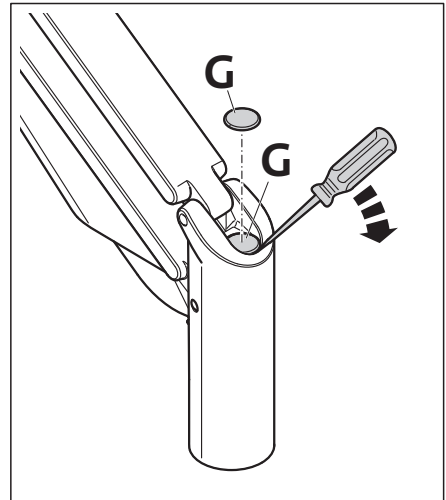
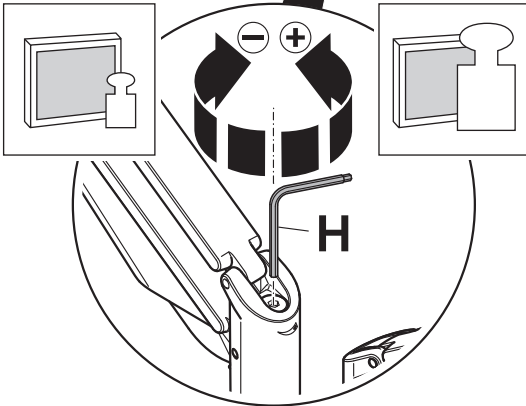
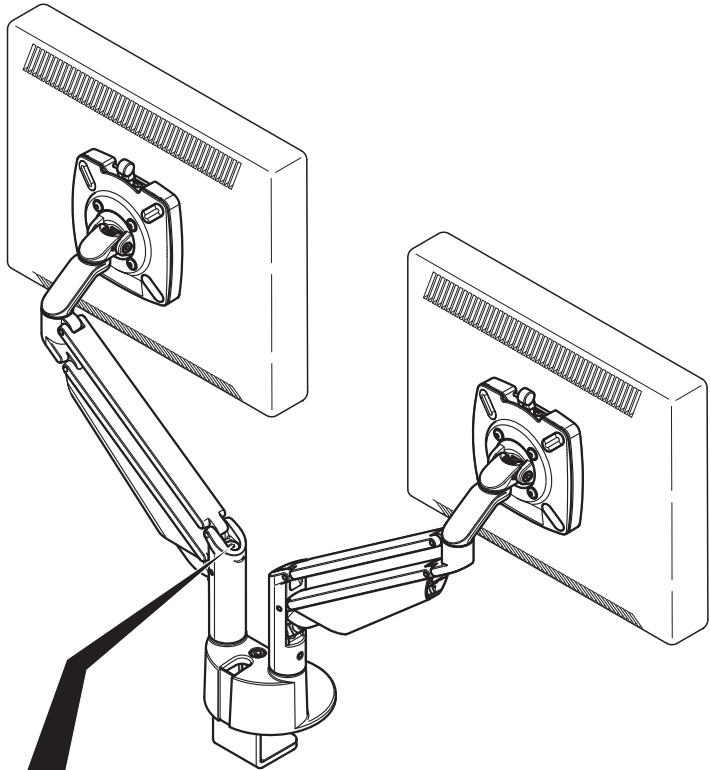






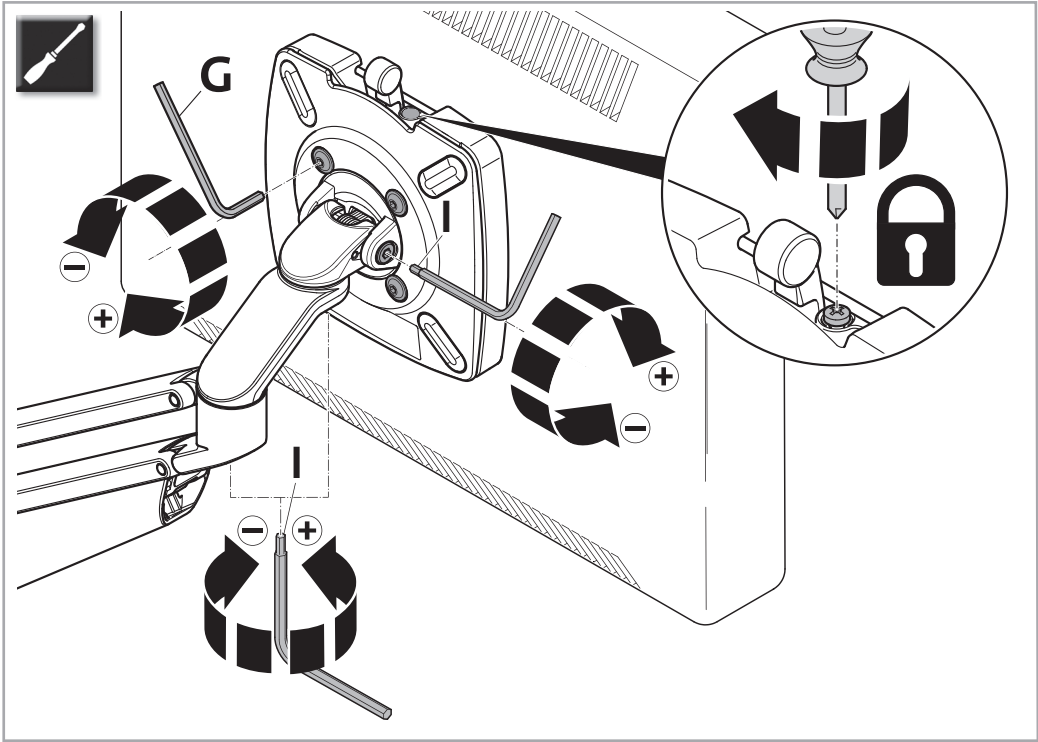
NOVUS® Clu Duo







NOVUS® Clu Duo



NOVUS[®]

Dahle North America, Inc.
49 Vose Farm Road
Peterborough, NH 03458
Tel. (800) 995-1379
info@novusmorespace.com



www.novusmorespace.com

859-2015 01/19 Technische und Design Änderungen vorbehalten! Technical and design modifications reserved!