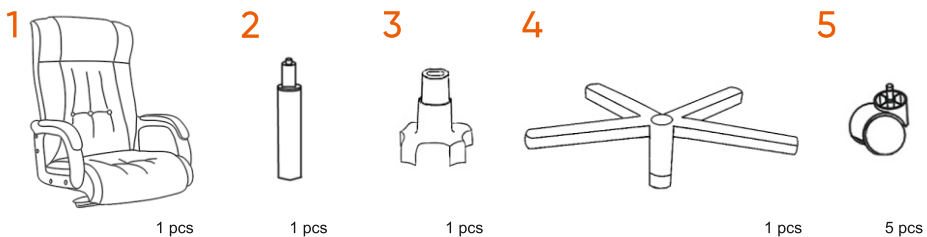


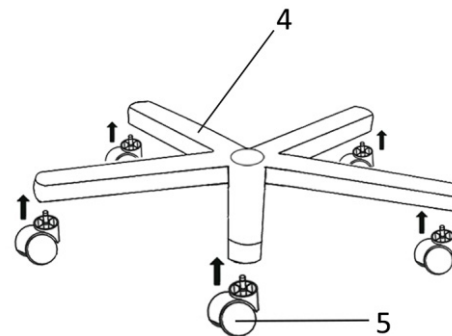


# Chairman 653

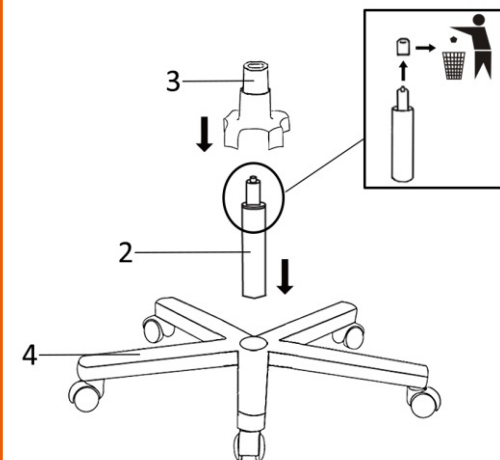
**RU** ИНСТРУКЦИЯ ПО СБОРКЕ  
**EN** ASSEMBLY INSTRUCTIONS  
**DE** AUFBAUANLEITUNG  
**FR** INSTRUCTIONS DE MONTAGE  
**IT** MANUALE D'USO  
**ES** INSTRUCCIONES DE MONTAJE  
**CS** NÁVOD K MONTÁŽI  
**KK** ЖИНАУ ЖӨНІНДЕГІ НҰСҚАУЛЫҚ



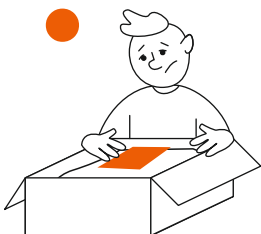
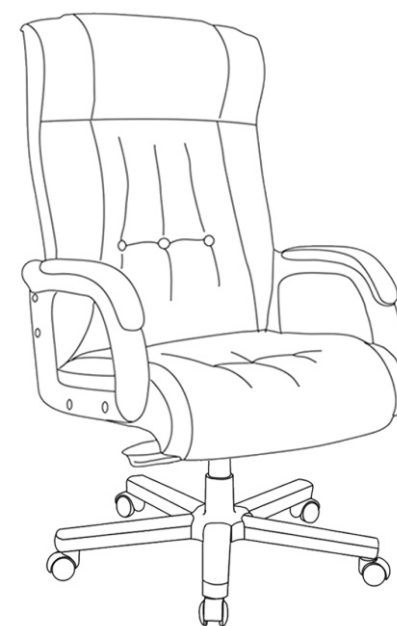
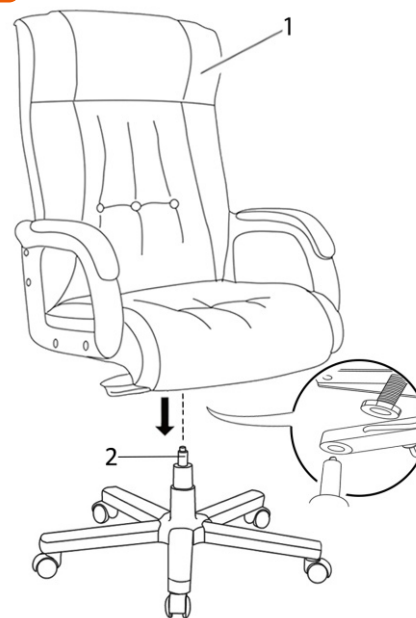
**1**



**2**

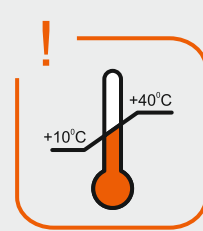
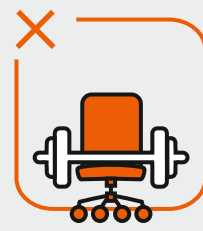
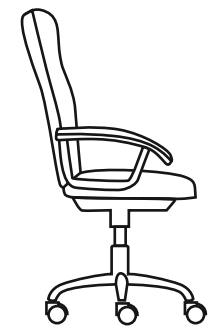
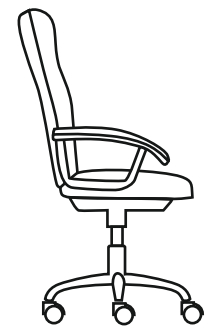
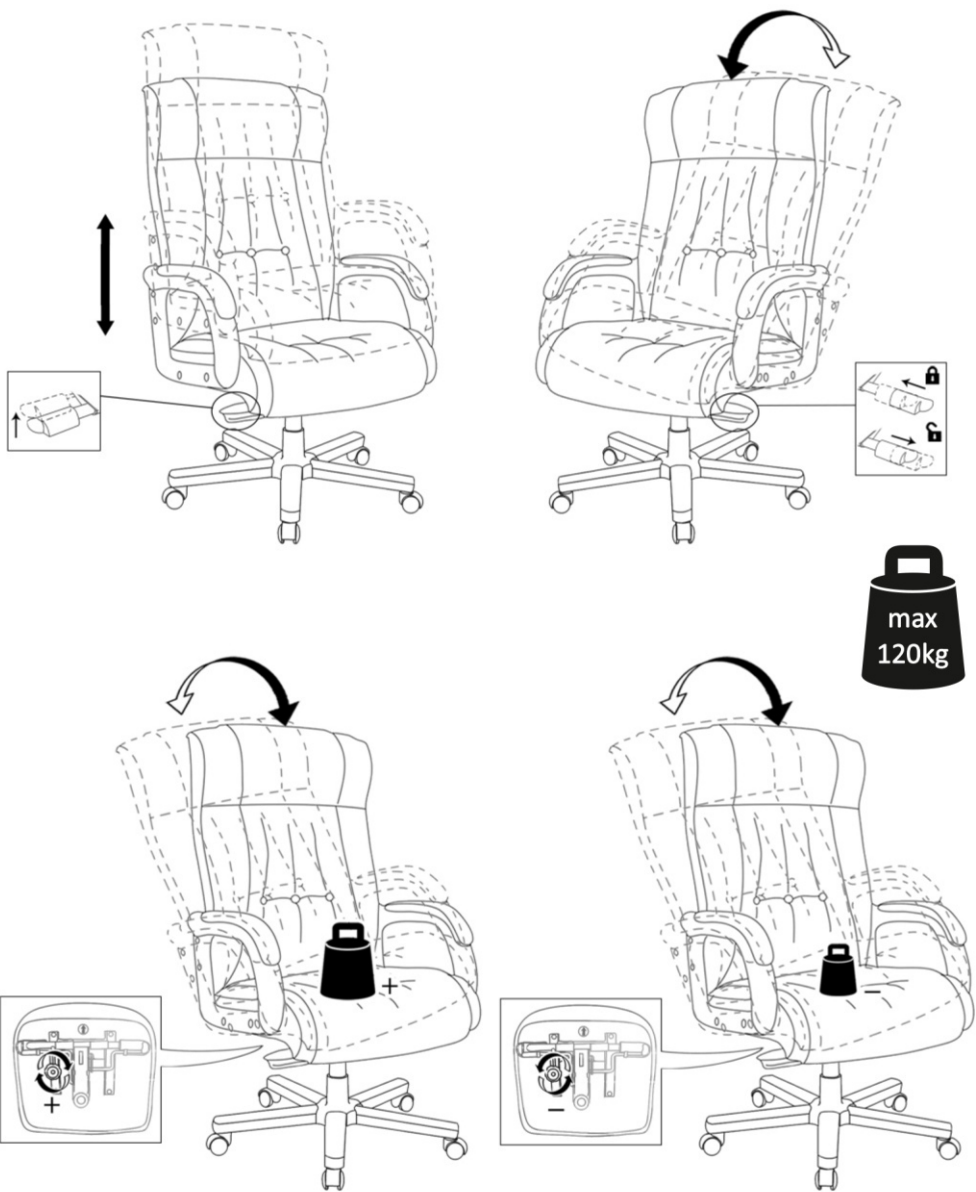


**3**






**STEP 1**

**STEP 2**



**CHAIRMAN**  
ПОМОГАЕТ РАБОТАТЬ

 [chairman.ru](http://chairman.ru)  
 [info@chairman.ru](mailto:info@chairman.ru)  
 [vk.com/chairman\\_chairs](https://vk.com/chairman_chairs)